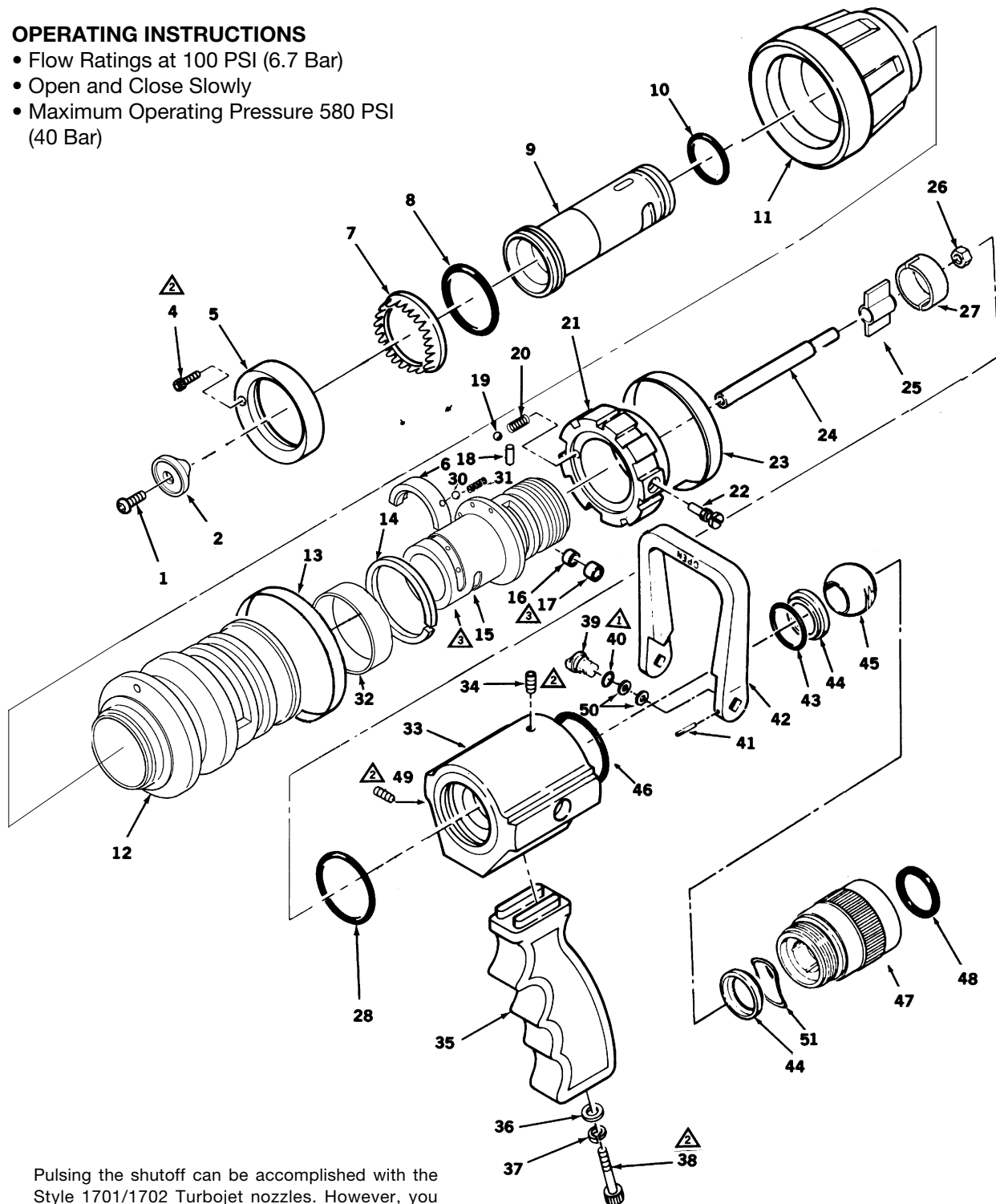


TECHNICAL SERVICE PARTS LIST

OPERATING INSTRUCTIONS

- Flow Ratings at 100 PSI (6.7 Bar)
- Open and Close Slowly
- Maximum Operating Pressure 580 PSI (40 Bar)



Pulsing the shutoff can be accomplished with the Style 1701/1702 Turbojet nozzles. However, you must assure that all equipment used with the nozzles can withstand the resulting peak pressures and that the fire fighter is aware and can effectively support the sudden change in nozzle reaction when pulsing.

ASSEMBLY NOTES:

- ▲ Use Parker-O-Lube on all O-Rings
- ▲ Use Permabond LM 113 or Loctite 222 at assembly.
- ▲ Use Low-Temp Lubriplate

TECHNICAL SERVICE PARTS LIST

ITEM NO.	DESCRIPTION	PART NUMBER	QUANTITY	
			1701	1702
1	Socket Head Cap Screw	7-65-179	1	1
2	Baffle Head	116362	1	1
4	Socket Head Cap Screw	7-67-094	2	2
5	Turbine Retaining Ring	109437	1	1
6	Insert	7-23-023	1	1
7*	Turbine Teeth	7-72-024	1	1
8	O-Ring	7-57-242	1	1
9**	Discharge Control Tube	117415	1	1
10	O-Ring	7-57-344	1	1
11	Bumper	7-04-583	1	1
12	Pattern Sleeve (Not Shown)	116424	1	1
13	Pattern Band	7-03-626	1	1
14	Seal	7-29-351	1	1
15**	Nozzle Body	117414	1	1
16	Cam Roller—Short	7-58-210	1	1
17	Cam Roller—Long	7-58-211	1	1
18	Key Pin	7-27-034	1	1
19	Detent Ball	7-04-018	1	1
20	Detent Spring	7-69-111	1	1
21	Discharge Control Ring	7-58-230	1	1
22	Cam Axle	7-07-252	1	1
23**	Discharge Control Band—GPM	7-03-632	1	1
23**	Discharge Control Band—LPM	7-03-631	1	1
24	Stem	116422	1	1
25	Spider	7-69-594	1	1
26	Hex Nut	7-35-011		
27	Spider Retainer	116363	1	1
28	O-Ring	7-57-048	1	1
30	Detent Ball	7-04-585	2	2
31	Spring	7-68-293	2	2
32	Ring	7-58-229	1	1
33	Shutoff Body	118364	1	
33	Shutoff Body for Pistol Grip	118363		1
34	Set Screw	7-65-008	1	1
35	Pistol Grip	7-18-233		1
36	Washer	7-84-093		1
37	Lock Washer	7-84-090		1
38	Socket Head Cap Screw	7-63-064		1
39	Trunnion	109440	2	2
40*	O-Ring	7-57-282	2	2
41*	Roll Pin	7-44-080	2	2
42	Handle	7-21-417	1	1
43*	O-Ring	7-57-281	1	1
44*	Seat	7-69-245	2	2
45*	Ball	7-04-490	1	1
46*	O-Ring	7-57-375	1	1
47	Swivel Assembly (1" NH)†	4801-0006	1	1
47	Swivel Assembly (1" BSP)†	48010007	1	1
48*	Swivel Gasket	7-17-047	1	1
49	Set Screw	7-65-025	1	1
50	Trunnion Bearing	7-69-351	4	4
51	Seat Spring	7-68-272	1	1

*Parts included in Field Service Kit #9180.

**When repairing units purchased prior to October 2000 involving the Discharge Tube, Nozzle Body or Discharge Control Band, all three parts should be replaced.

†For other threads order by description and thread size (ODM and TPII) or by Akron Thread Code.