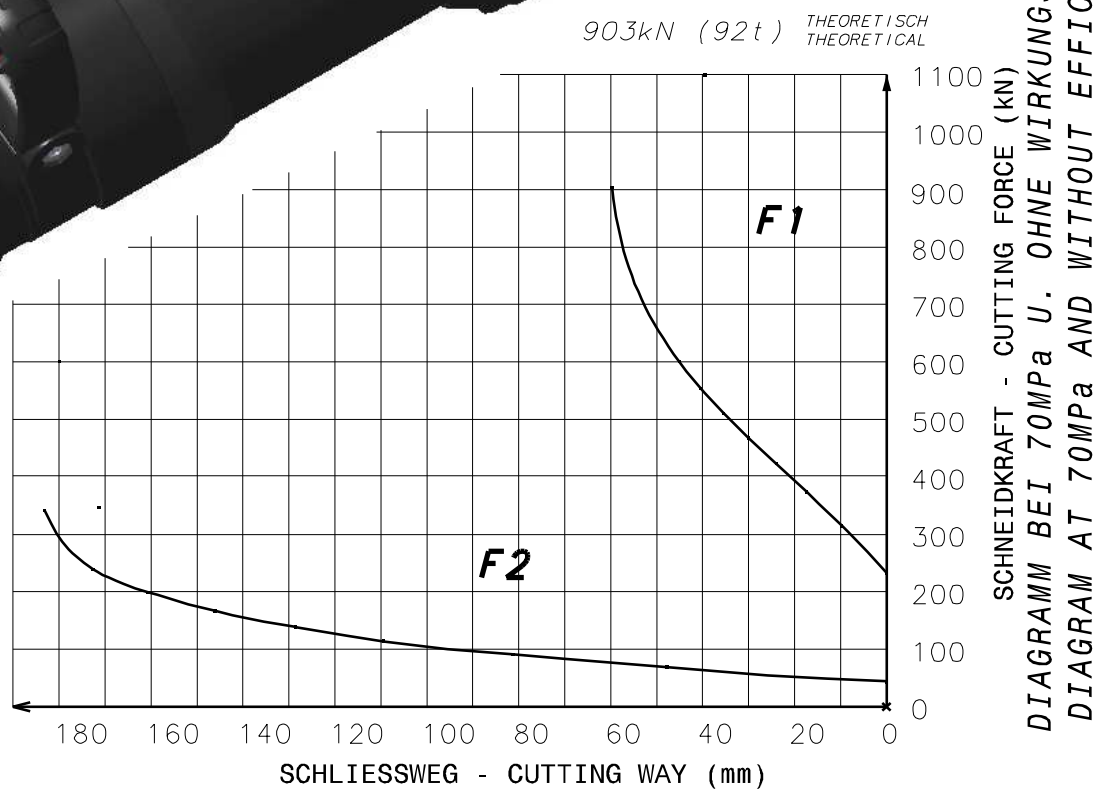
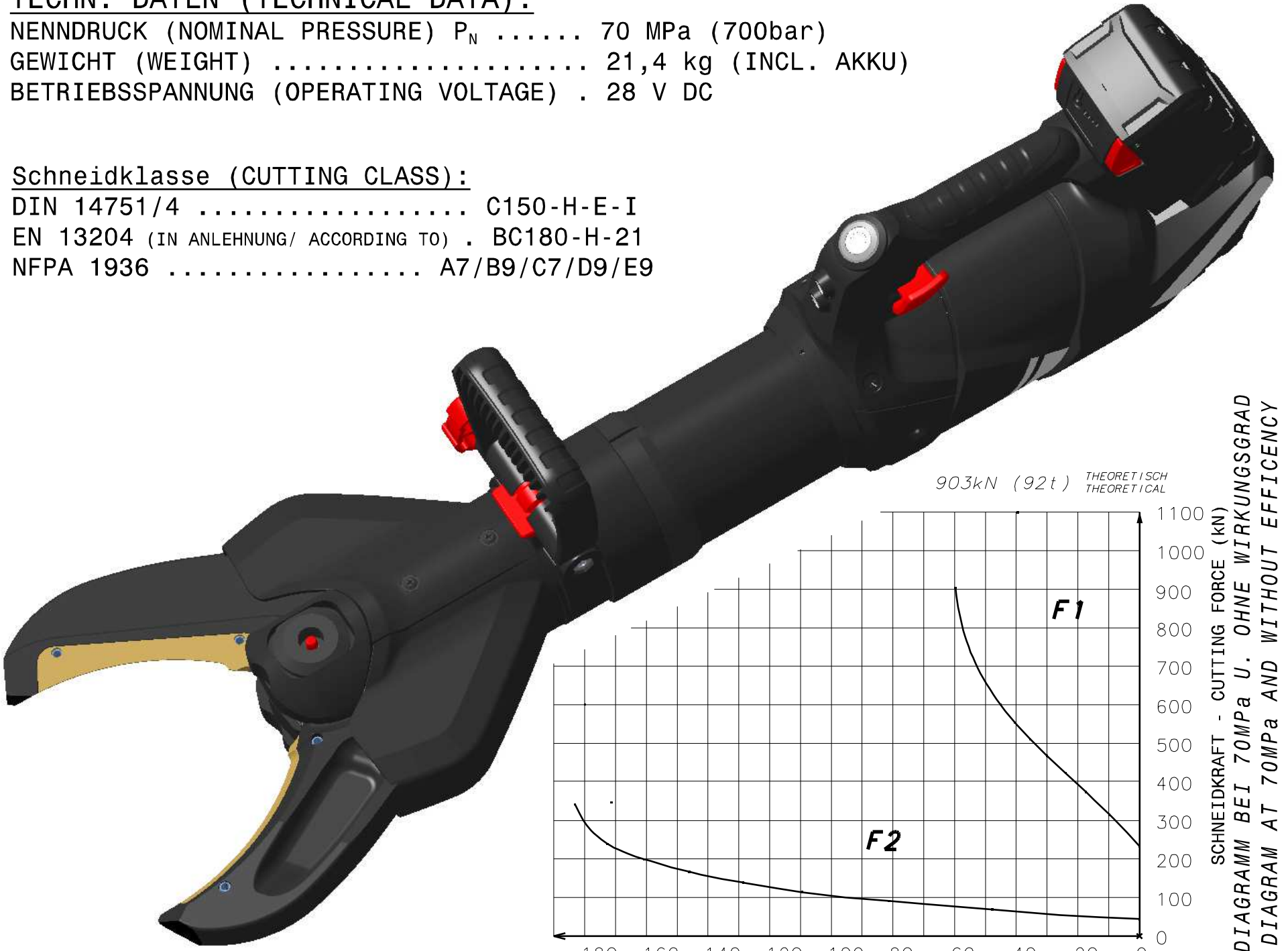


TECHN. DATEN (TECHNICAL DATA):

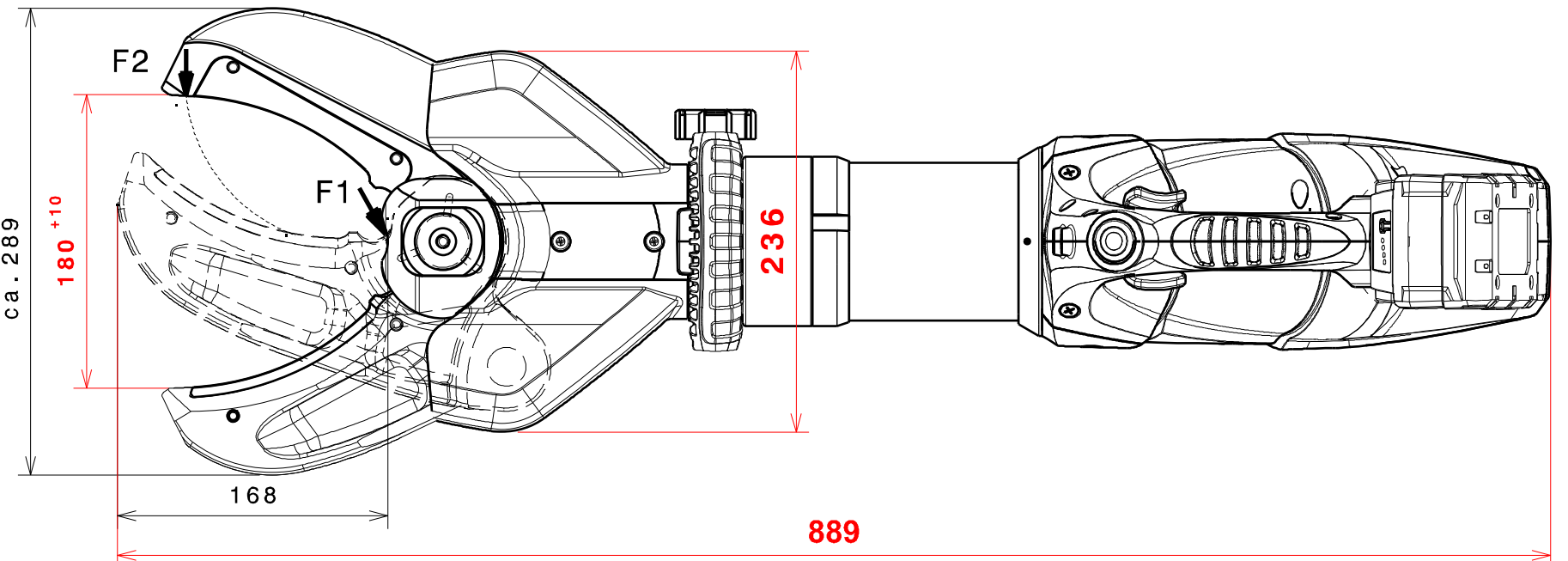
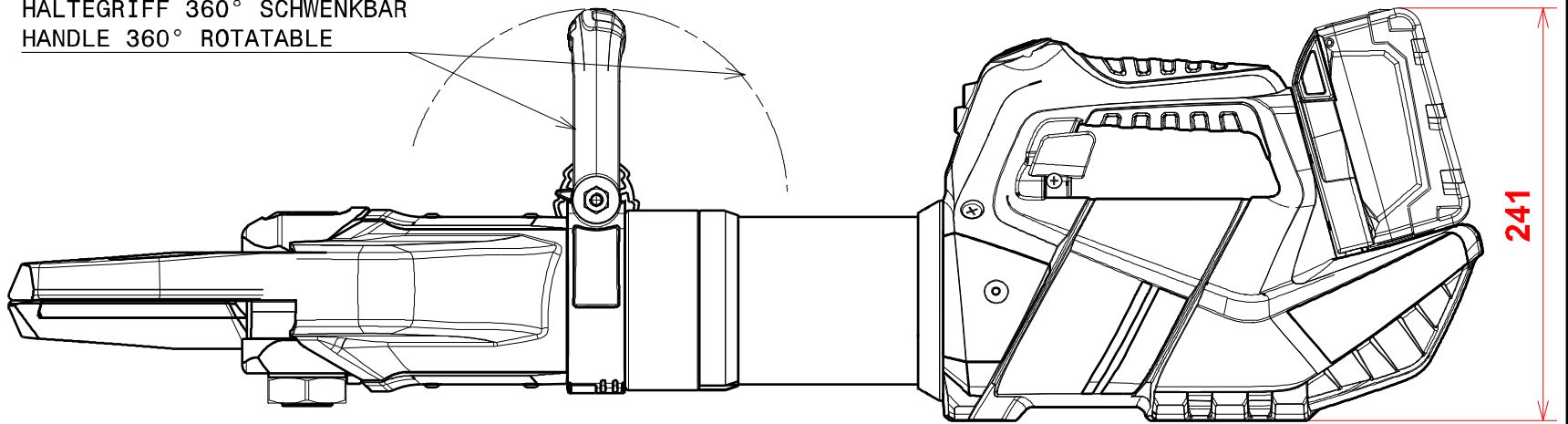
NENNDRUCK (NOMINAL PRESSURE) P_N 70 MPa (700bar)
 GEWICHT (WEIGHT) 21,4 kg (INCL. AKKU)
 BETRIEBSSPANNUNG (OPERATING VOLTAGE) . 28 V DC

Schneidklasse (CUTTING CLASS):

DIN 14751/4 C150-H-E-I
 EN 13204 (IN ANLEHNUNG/ ACCORDING TO) . BC180-H-21
 NFPA 1936 A7/B9/C7/D9/E9



HALTEGRIF 360° SCHWENKBAR
 HANDLE 360° ROTATABLE



GEPR. JSC
CHECK.

GEZ. KST
DRAW. KST
DAT. 26.05.15
DAT.

GEAEND. KST
MODIF. KST
AEND.-DATUM 04.08.15
MOD.-DATE

150592
A

AEND.-NR.
MOD.-NO.
REVISION
REVISION

FREIMASSTOLERANZEN (GENERAL TOLERANCES)	LAENGENMASS (LENGHT)mm	...50	50...250	250...1000	1000...	WINKELMASS (ANGLE)	...180°
	TOLERANZ (TOLERANCE)mm	±1,5	±2,0	±3,0	±5,0	TOLERANZ (TOLERANCE)	±10°